



Tatravagónka and PJM cooperate on digital train functions: The Slovakian manufacturer includes automatic brake testing and all PJM monitoring functions into its equipment portfolio

Poprad and Graz, April 2025: Tatravagónka, the leading freight wagon manufacturer in Europe, is integrating PJM's digital freight train functions and automated applications into its equipment range. Hence, the efficiency-enhancing monitoring and automation features are now available ex works for wagon purchasers.

Due to its extensive wagon portfolio, the Slovakian manufacturer is the largest in Europe. Wagon types for the transport of all types of products are developed and manufactured in several plants in Slovakia, including tank and bulk goods wagons, flat wagons, intermo-

dal wagons and steel coil transport wagons. In order to make the benefits of automation and digitalization available to the sector in an efficient way, Tatravagónka is now offering the functionalities of the overall digital system WaggonTracker. The monitoring features include real-time brake analysis and brake system monitoring, real-time kingpin monitoring, IDDS derailment diagnostics paired with real-time in-train communication (direct communication with the train driver), load weight monitoring and automatic brake testing. The majority of the functions are offered exclusively by PJM, the Automatic Brake Test is the European reference system,

with broad support from railway undertakings and wagon keepers. The technical applications create a number of essential benefits: lower costs, higher availability of the goods train, faster train preparation and, above all, greater safety. By ordering ex works, the PJM system is optimally integrated into the freight wagons and delivered to the customer.

'Tatravagónka and our overall digital system complement each other perfectly: as a leading manufacturer, Tatravagónka is constantly developing innovations and optimizations. Our monitoring system, automatic brake testing and load weight monitoring are unique functions that make rail transport safer and optimize it in terms of efficiency, availability and cost-effectiveness. For wagon keepers and railway undertakings, the step towards digital train functions and the associated benefits is very simple. Tatravagónka hands over the required equipment ex works,' says Günter Petschnig, CEO of PJ Monitoring GmbH. *'This partnership ensures that the rail freight transport sector receives an advanced, reliable and future-proof overall solution',* Günter Petschnig continues.

With the co-operation with PJM, Tatravagónka is consistently continuing the further development of its product portfolio. The wagons were prepared for automated applications such as the DAC (Digital Automatic Coupling) several years ago. The overall digital system from PJM automates further processes (brake testing and load weight monitoring), which means that the wagon keeper is also ideally equipped for the future: the system is fully compatible with the future digital automatic coupling as well as with other customized applications.

The advantages of PJM's intelligent train functions in detail:

Cost savings: The steady and comprehensive determination of specific data from relevant components leads to predictive maintenance and repair planning. Short-term, costly repairs and rolling stock breakdowns are reduced.

Time saving: Automatic brake testing and load weight monitoring significantly shorten train preparation times.

Greater reliability: Functions such as load weight monitoring increase the availability of the goods train because loading is carried out more quickly and overloading - and therefore removing the wagon at infrastructure points - is avoided. The kingpin monitoring detects the correct setting of the device.

Gaining safety: All functionalities increase safety. The derailment diagnosis IDDS is equipped with a real-time warning to the train driver, the monitoring of dynamic running status identifies critical running situations and possible faults, the real-time brake analysis and brake system monitoring detects defective and overloaded brake systems at an early stage and the automatic brake test is a safety-relevant process that determines and checks a wide range of data. Real-time brake monitoring monitors the correct use of the brake system and prevents applied handbrakes.

Today's advantages and future-proof equipment: The PJM system is scalable and compatible with future DAC solutions and other applications.

About Tatravagónka

TATRAVAGÓNKA is Europe's leader in development, design and production of freight wagons and bogies.

Strength of trademark TATRAVAGÓNKA is built on 100-year history, tradition in production of freight wagons, endurance and commitment. During this period TATRAVAGÓNKA has developed more than 220 different types of wagons and bogies.

TATRAVAGÓNKA is reliable supplier for significant European transportation companies with high production capacity, strong design basis, professional personnel and individual technical solutions. The company is not only a pillar of the region but also a flagship for several companies established in five European countries.

About PJM

PJM is an internationally renowned system specialist for rail transport and has successfully implemented projects in 30 countries on 6 continents.

With its WaggonTracker system, PJ Monitoring GmbH is a technology leader in the automation and digitalization of rail freight transport. The overall digital WaggonTracker system and

its applications such as the automatic brake test or Mercitalia's smart train have been awarded 12x times.

As an accredited test center in accordance with ISO/IEC 17025, PJ Messtechnik GmbH carries out tests worldwide for the approval of rail vehicles.

PJ Motion GmbH specializes in approval and project management for track-bound vehicles.

PJM was founded in 2006. Around 85 employees at the Graz site ensure '100 % Made in Austria': R&D, hardware and software development, production & administration come exclusively from Austria.

Further information:

<https://pjm.co.at/waggontracker/en>

Contact Tatravagónka:

Zuzana Domanická

PR & marketing manager

zuzana.domanicka@tatravagonka.sk

Contact PJM:

Birgit Rami-Jauk

Head of Corporate Communications

rami@pjm.co.at



The whole range of PJM's smart train features are now available ex works for customers of Europe's leading wagon manufacturer Tatravagónka

Photo: PJM

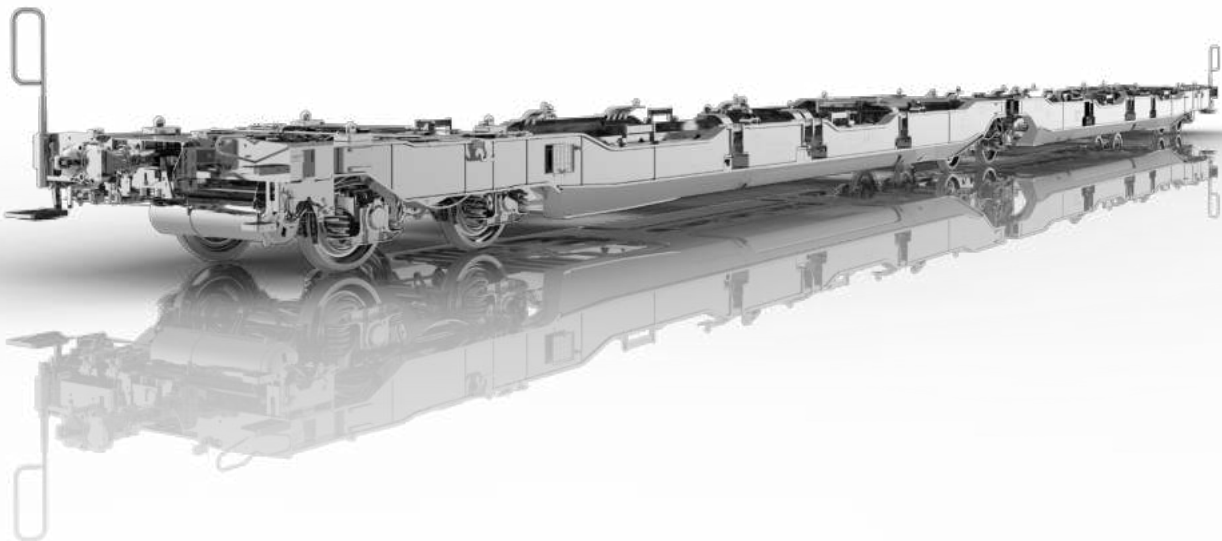


Photo: Tatravagónka



Photo: Tatravagónka